

(PILE CAP)

**LAP SCHEDULE (CLASS-B)**  
REF: 30/S3-1

SIZE	5000 PSI	
	TOP	OTHER
#3	22"	17"
#4	29"	23"
#5	36"	28"
#6	44"	34"
#7	63"	49"
#8	72"	56"
#9	81"	63"
#10	92"	71"
#11	102"	78"

ABBREVIATIONS

TOP	-
BOTTOM	BOT
TOP&BOTTOM	T&B
CONTINUOUS	CONT
FACE BAR	-
CORNER BAR	COR
VERTICAL	VERT
HORIZONTAL	HOR
STIRRUPS	STIRR
EACH WAY	EW
EACH FACE	EF
INNER FACE	IF
OUTER FACE	OF
EACH SIDE	ES
MASONRY	M
DOWEL	DWL
DOWEL/VERTICAL	D/V
TRANSVERSE	TRANS
LONG WAY BAR	LW
SHORT WAY BAR	SW

(COLUMN)

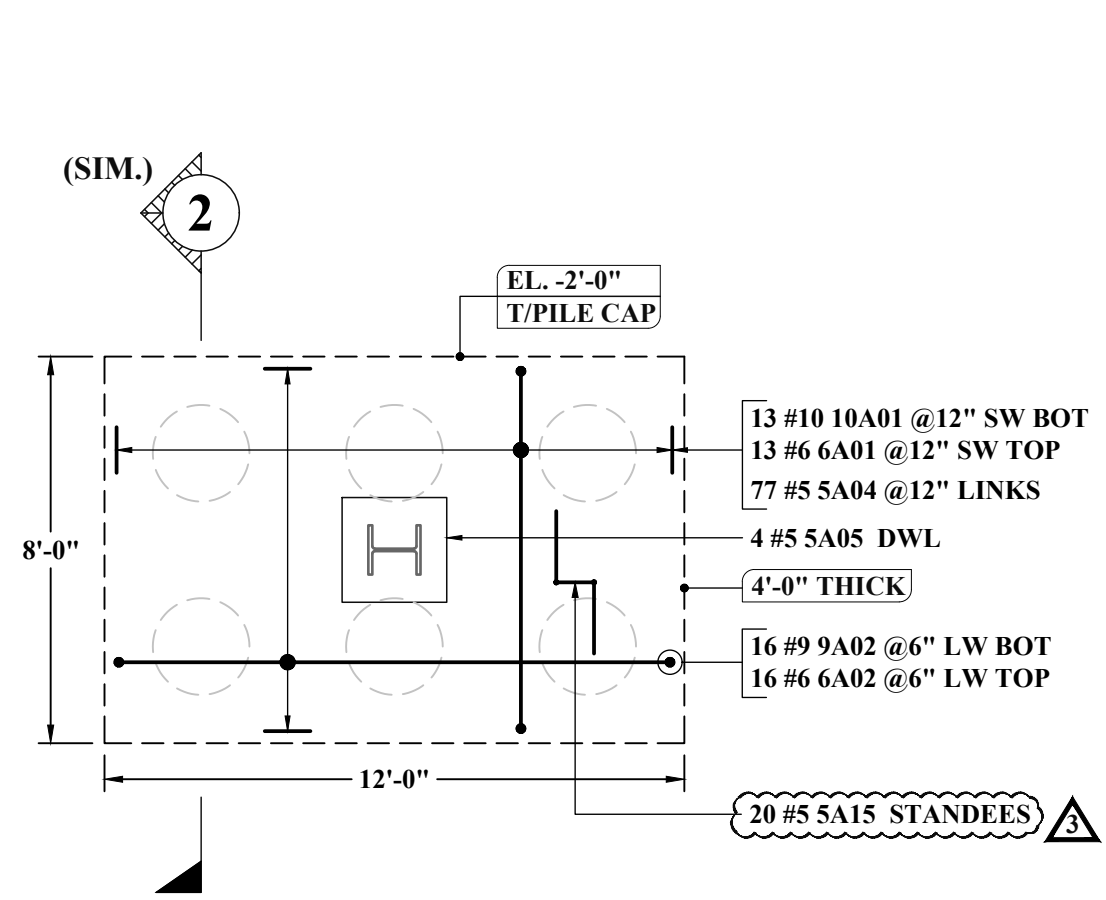
**LAP SCHEDULE (CLASS-B)**  
REF: 30/S3-1

SIZE	4000 PSI	
	TOP	OTHER
#3	24"	19"
#4	33"	25"
#5	41"	31"
#6	49"	37"
#7	71"	54"
#8	81"	62"
#9	91"	70"

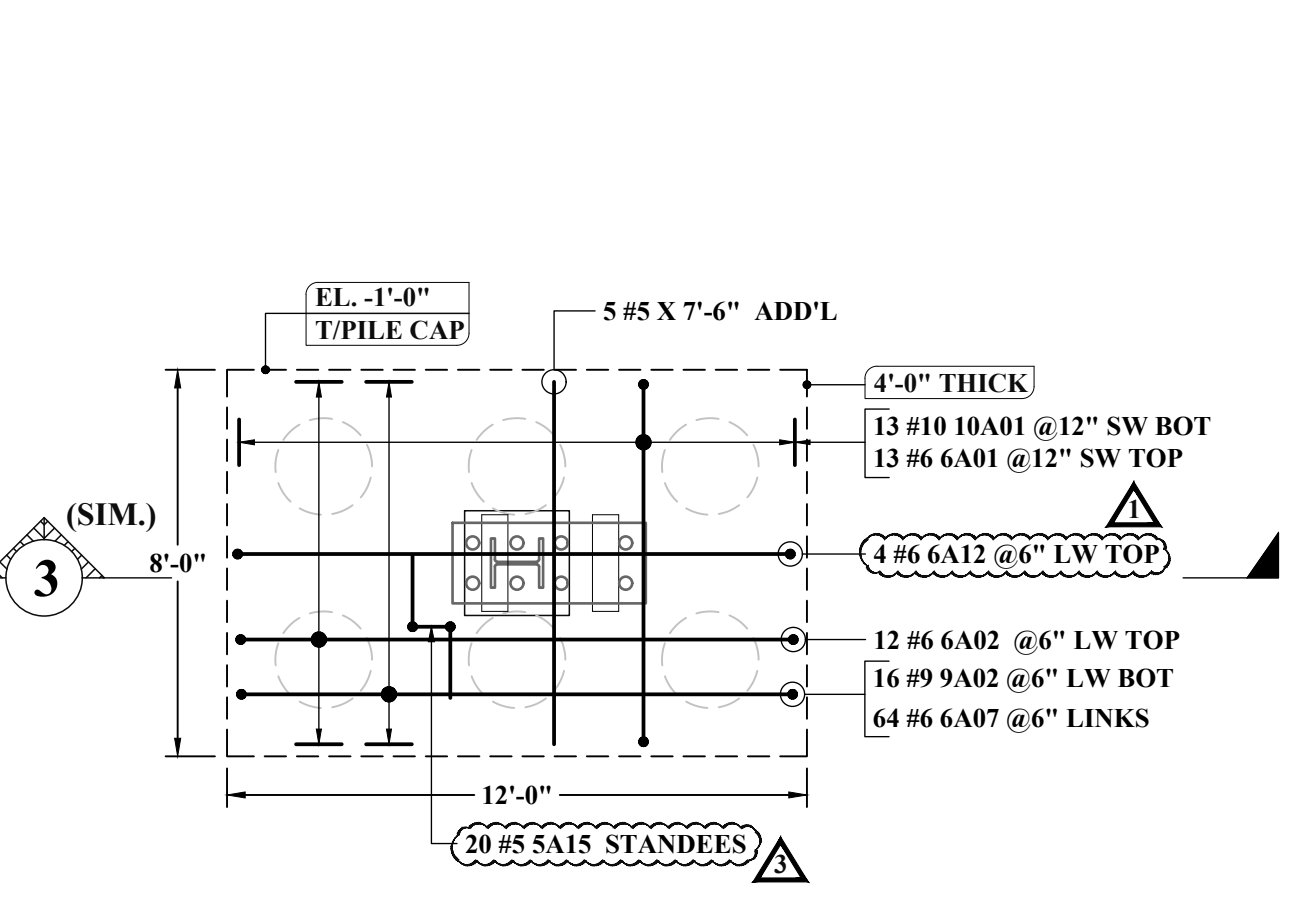
- NOTES:-**
- TYPICAL CLEARANCES  
A). TOP - 2"  
B). BOTTOM - 3"  
C). SIDES - 3"
  - A/E PLEASE VERIFY THE ALL CLOUDED ITEMS
  - PROVIDE FIELD CUT AS REQUIRED LOCATIONS
  - BAR TO BE PLACED AT EQUAL SPACING U.O.N.
  - TILT HOOK TO ACCOMMODATE THE COVER, IF NEED

**ALL BARS IN THIS DRAWING ASTM A615 GRADE 60 BLACK UNCOATED**

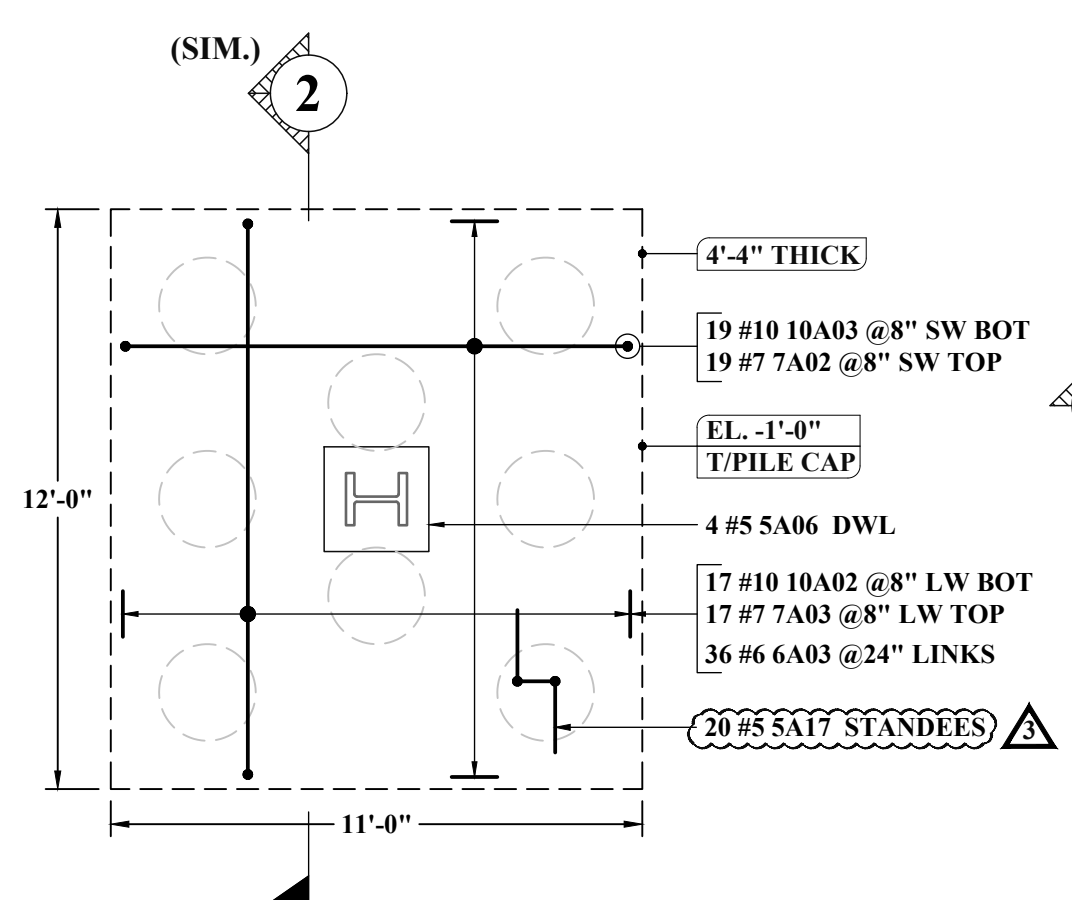
NOTE: REINFORCING STEEL PLACING DRAWINGS TO BE USED ONLY IN CONJUNCTION WITH CONTRACT DRAWINGS AND SPECIFICATIONS. ELEVATIONS & DIMENSIONS SHOWN ON THIS DRAWING ARE FOR VERIFICATION BY THE EOR OR FOR DETAILING PURPOSES ONLY AND SHOULD NOT BE USED FOR CONSTRUCTION UNLESS VERIFIED BY THE ARCHITECT, ENGINEER OF RECORD, OR CONTRACTOR.



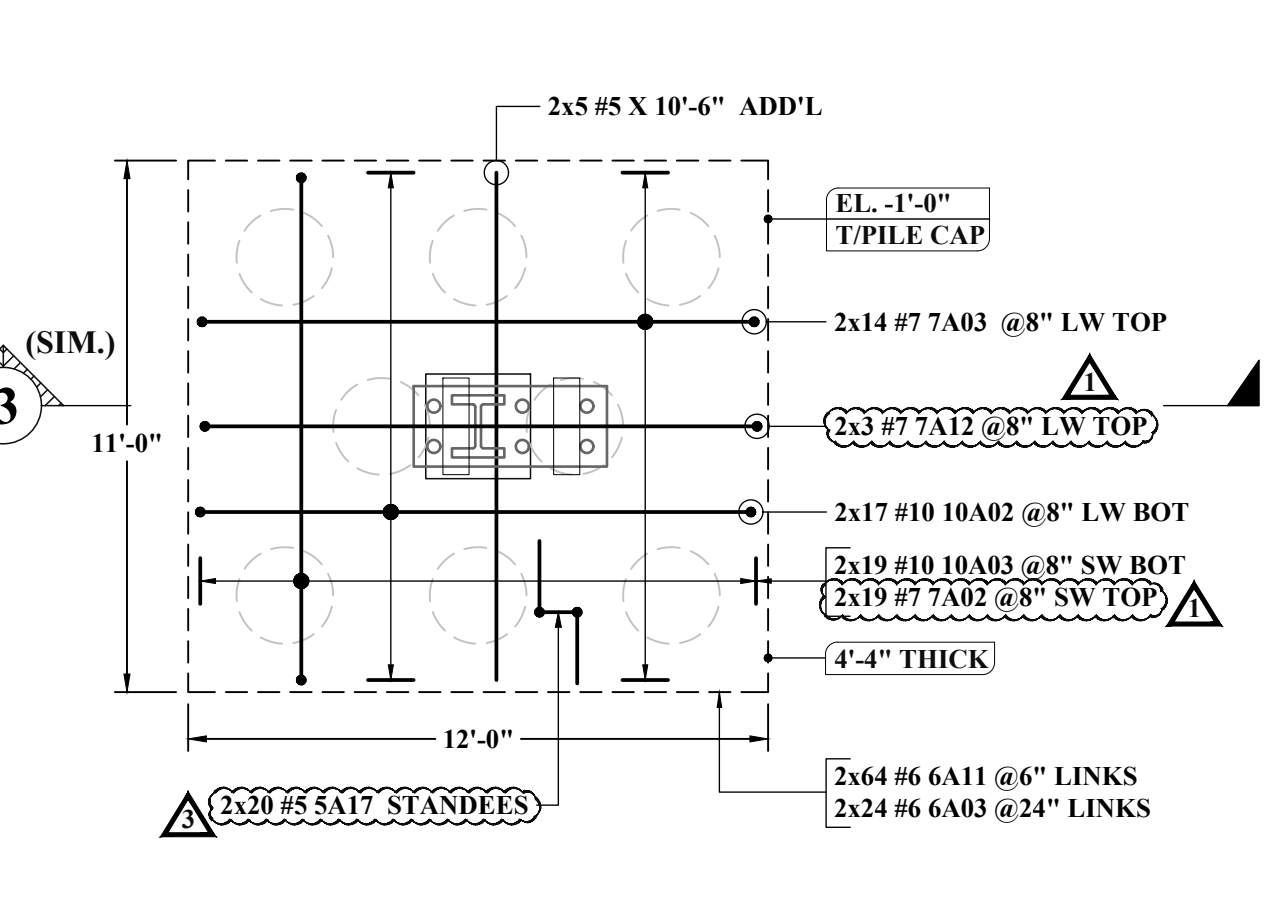
**PILE CAP MARK : P6A**  
SCALE : 1/4"=1'-0"  
REF : 1/S2-1 & 30/S3-2



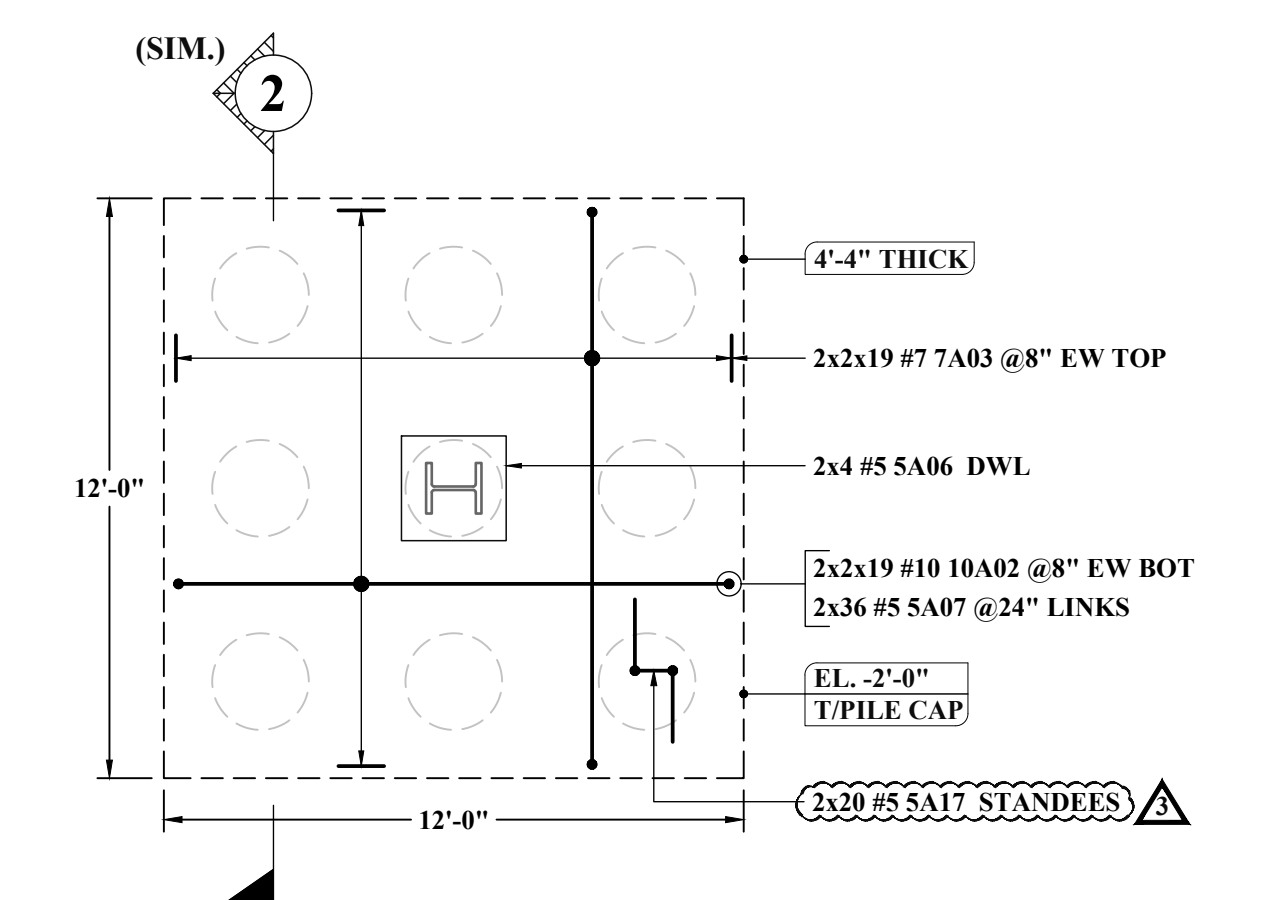
**PILE CAP MARK : P6B**  
SCALE : 1/4"=1'-0"  
REF : 1/S2-1 & 30/S3-2



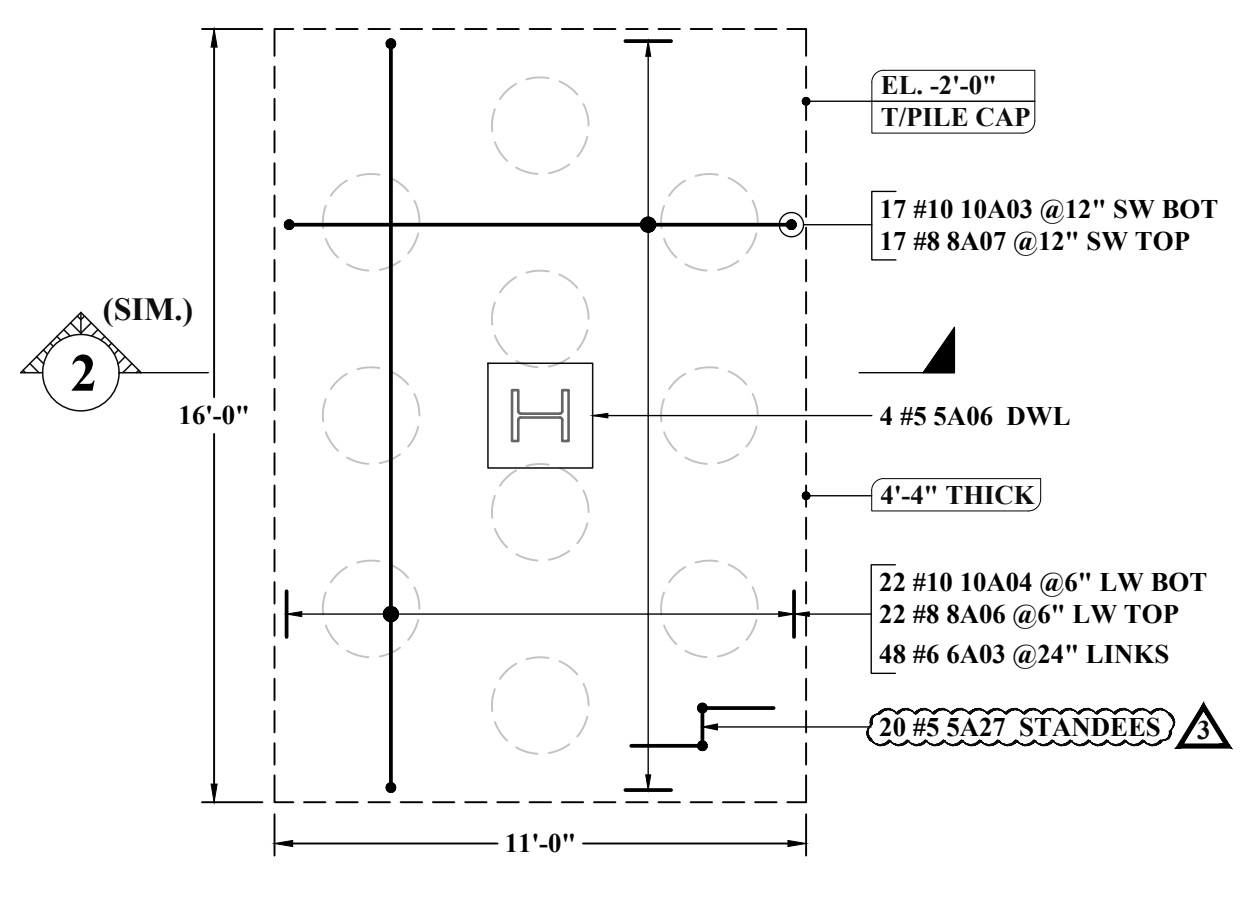
**PILE CAP MARK : P8**  
SCALE : 1/4"=1'-0"  
REF : 1/S2-1 & 30/S3-2



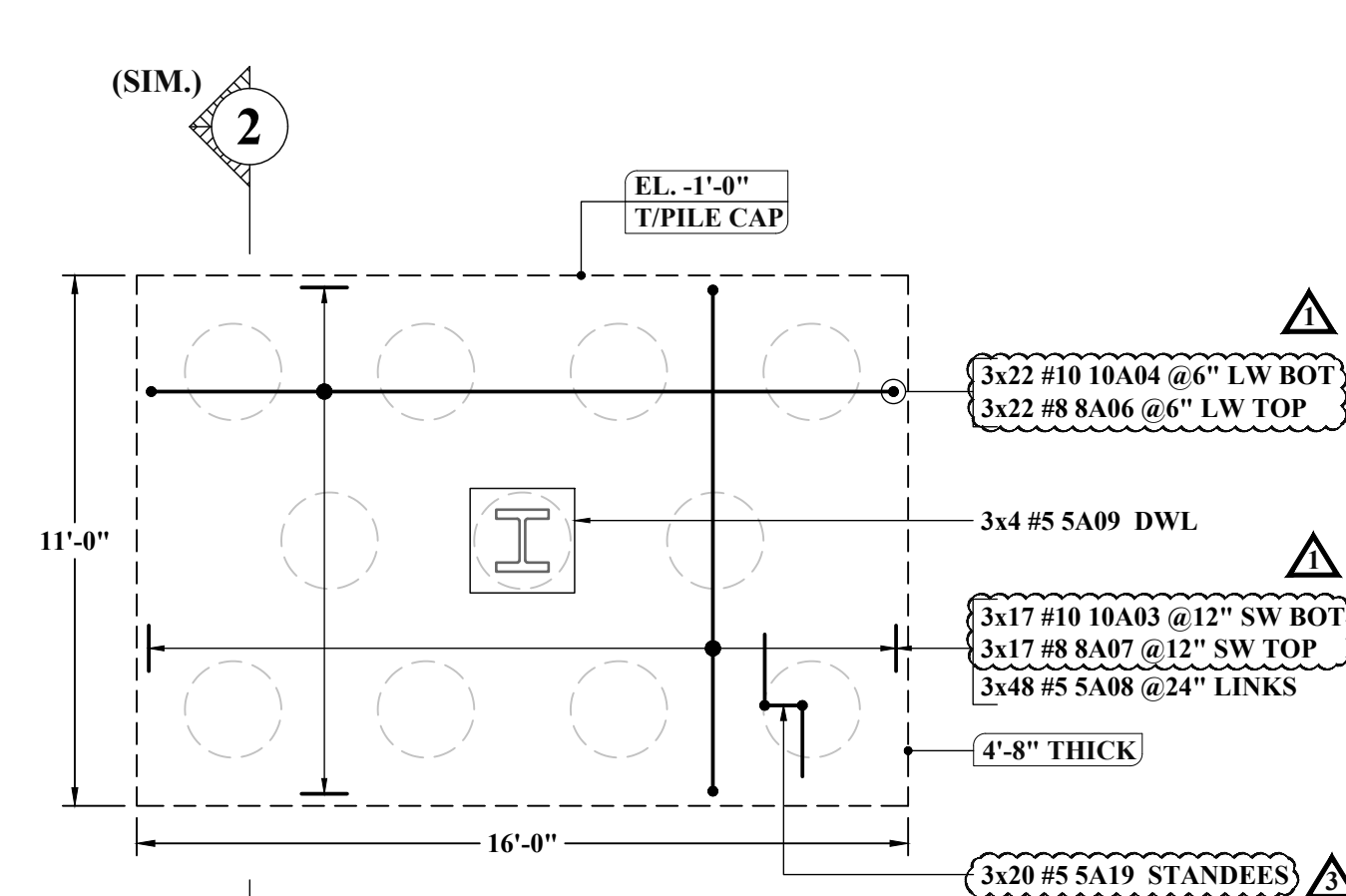
(2 LOCATIONS)  
**PILE CAP MARK : P8A**  
SCALE : 1/4"=1'-0"  
REF : 1/S2-1 & 30/S3-2



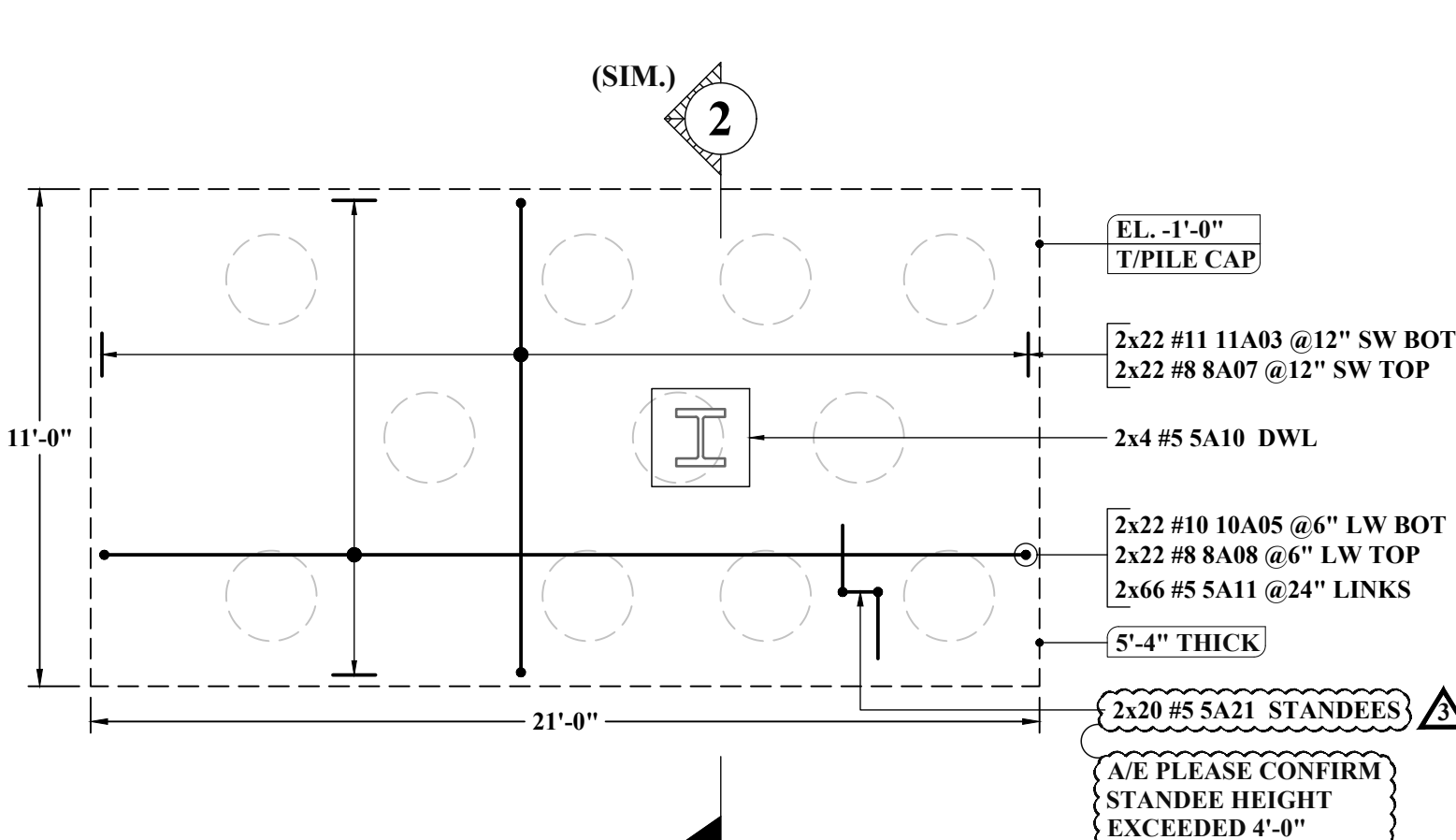
(2 LOCATIONS)  
**PILE CAP MARK : P9**  
SCALE : 1/4"=1'-0"  
REF : 1/S2-1 & 30/S3-2



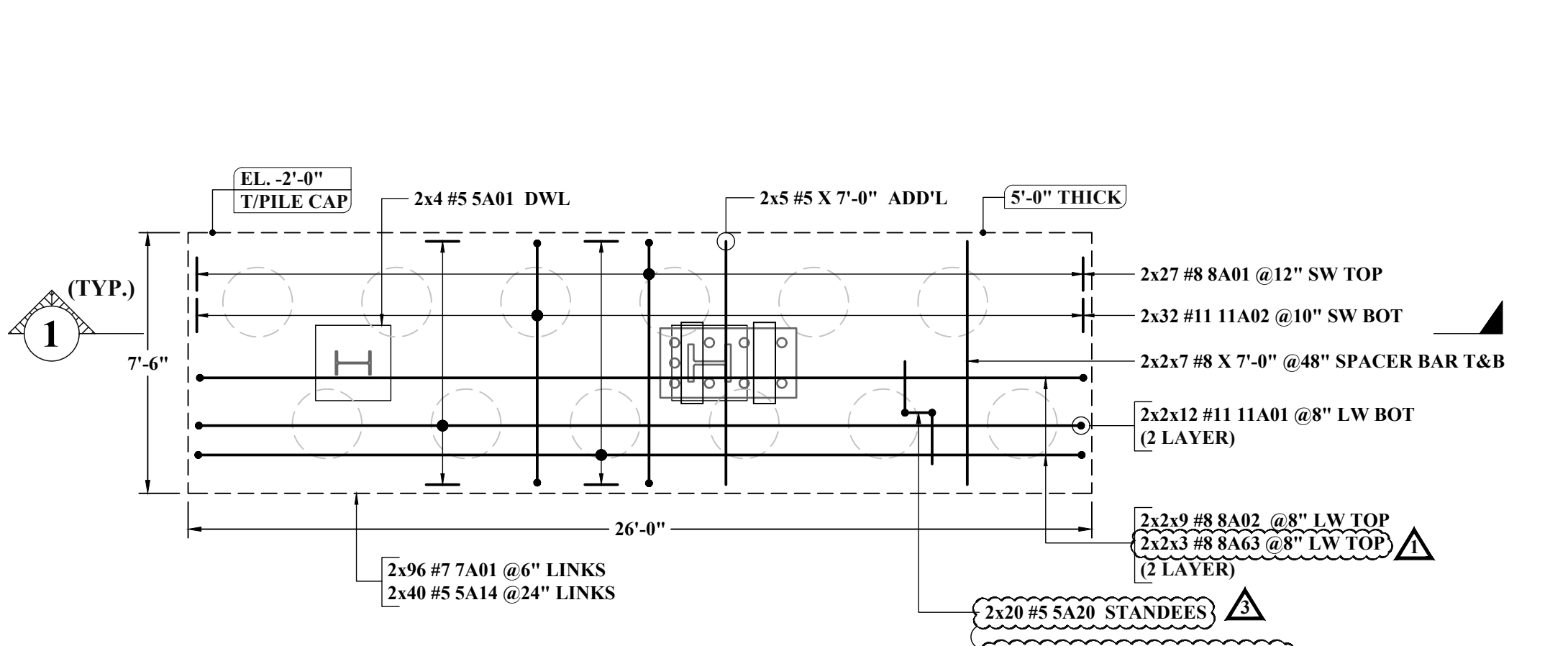
**PILE CAP MARK : P10**  
SCALE : 1/4"=1'-0"  
REF : 1/S2-1 & 30/S3-2



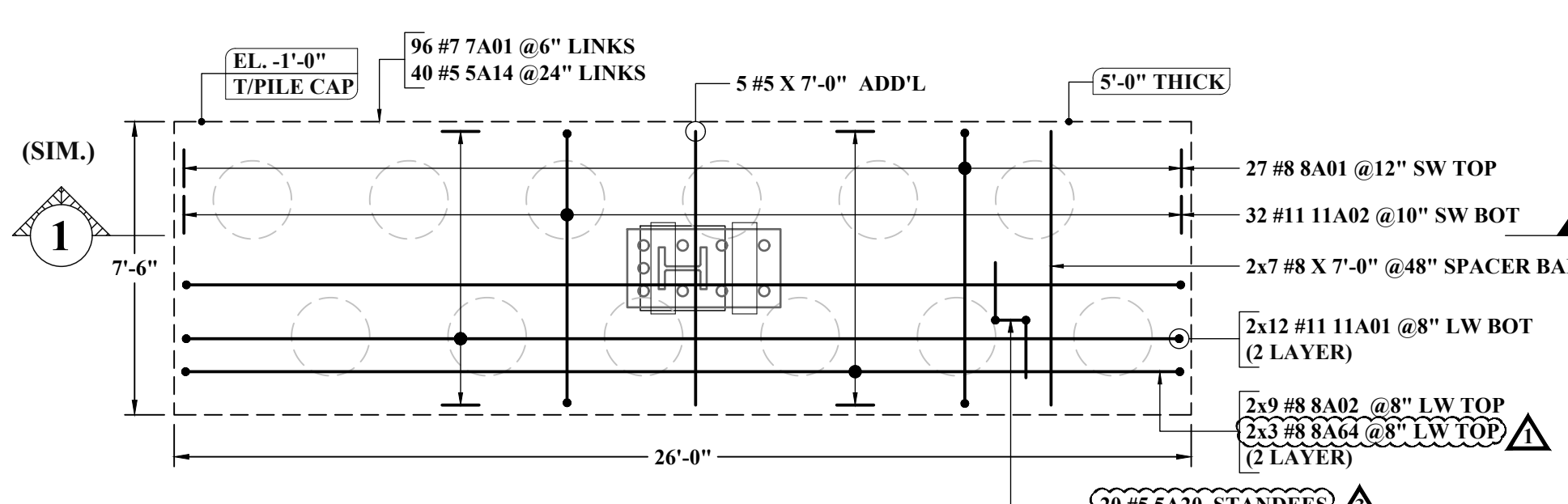
(3 LOCATIONS)  
**PILE CAP MARK : P11**  
SCALE : 1/4"=1'-0"  
REF : 1/S2-1 & 30/S3-2



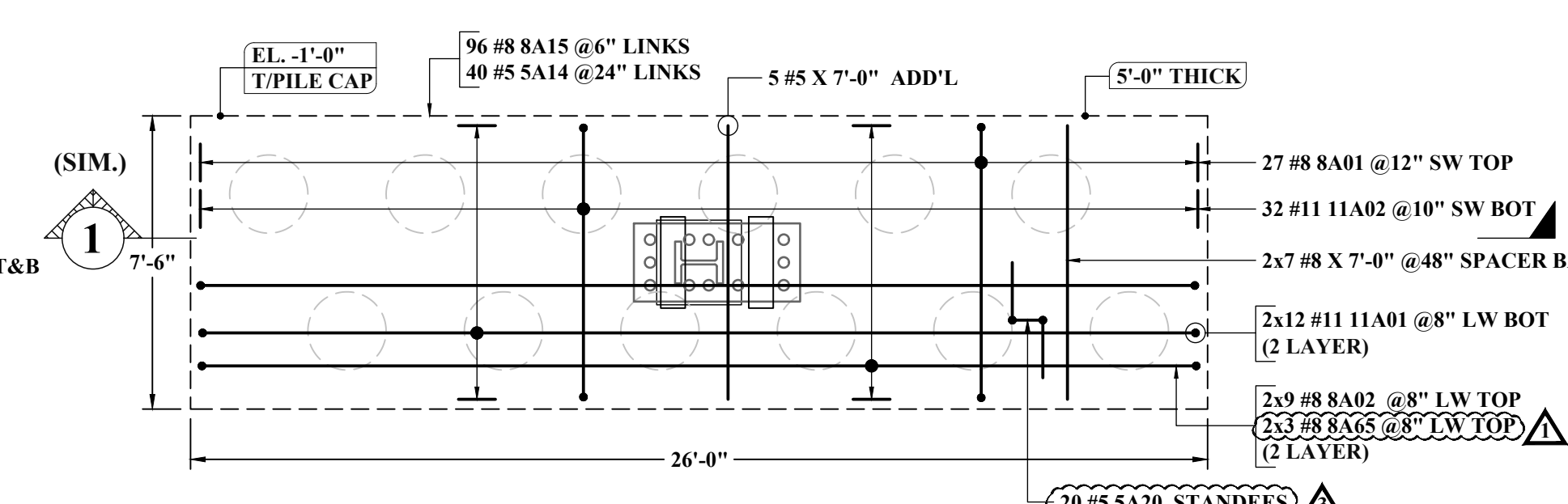
(2 LOCATIONS)  
**PILE CAP MARK : P11 SIM.**  
SCALE : 1/4"=1'-0"  
REF : 1/S2-1 & 30/S3-2



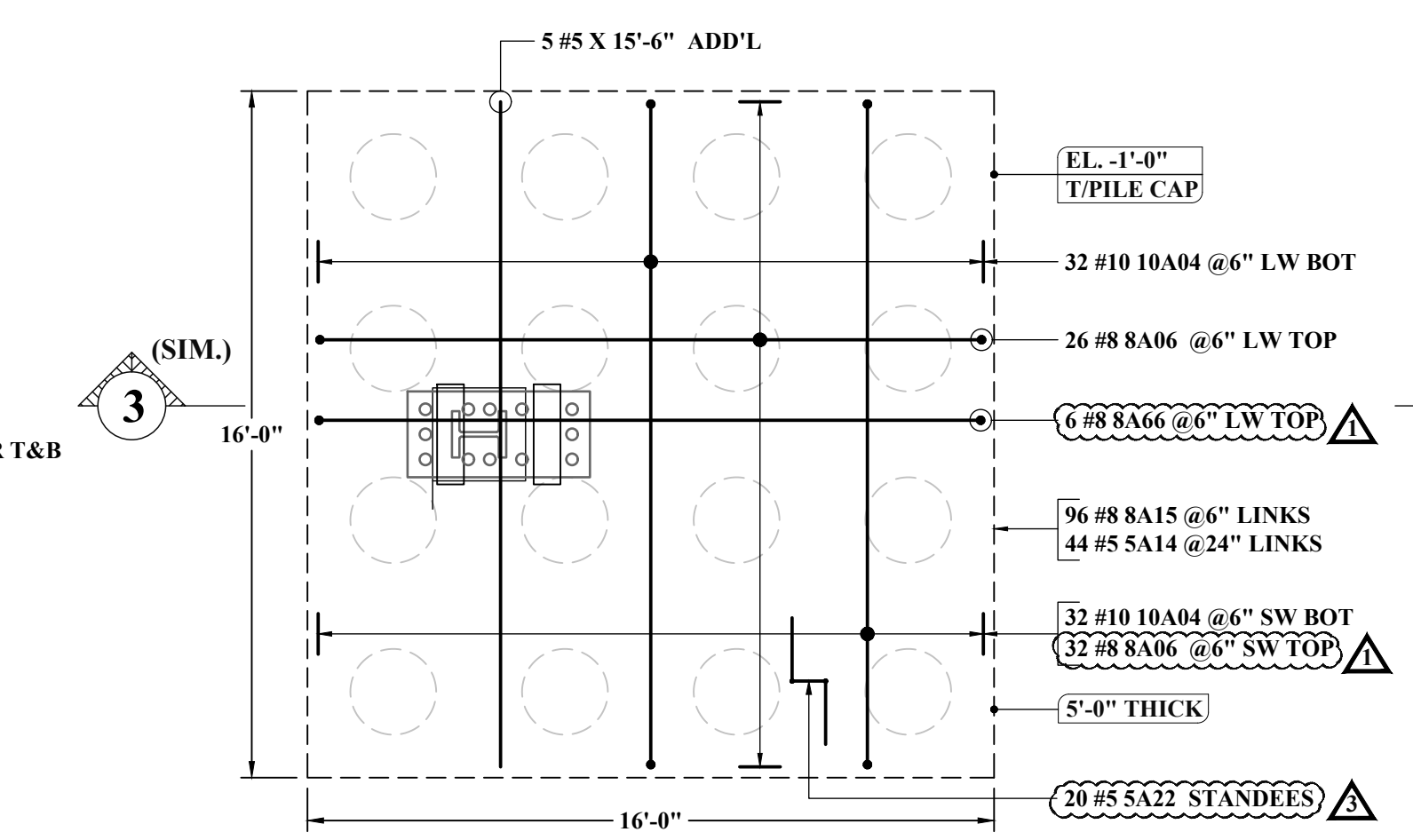
(2 LOCATIONS)  
**PILE CAP MARK : P12**  
SCALE : 1/4"=1'-0"  
REF : 1/S2-1 & 30/S3-2



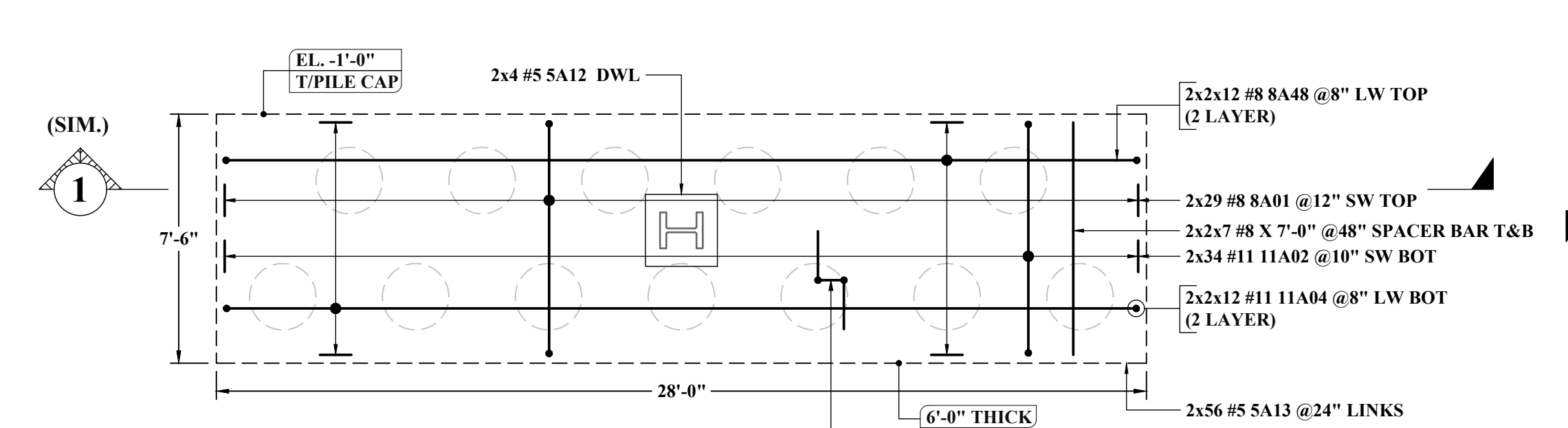
**PILE CAP MARK : P12A**  
SCALE : 1/4"=1'-0"  
REF : 1/S2-1 & 30/S3-2



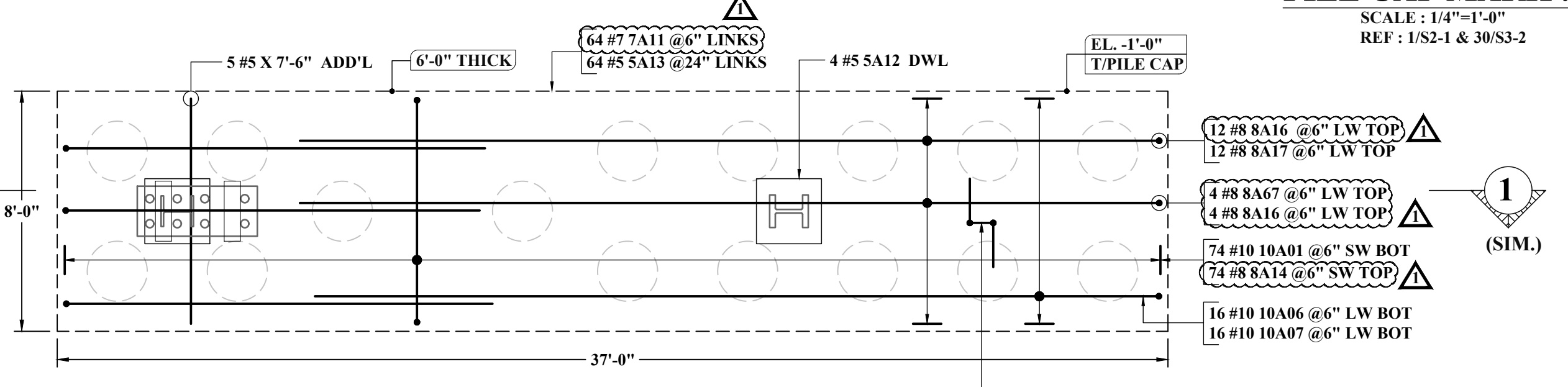
**PILE CAP MARK : P12B**  
SCALE : 1/4"=1'-0"  
REF : 1/S2-1 & 30/S3-2



**PILE CAP MARK : P16**  
SCALE : 1/4"=1'-0"  
REF : 1/S2-1 & 30/S3-2



(2 LOCATIONS)  
**PILE CAP MARK : P13**  
SCALE : 1/4"=1'-0"  
REF : 1/S2-1 & 30/S3-2



**PILE CAP MARK : P16 SIM1.**  
SCALE : 1/4"=1'-0"  
REF : 1/S2-1 & 30/S3-2

**ABBREVIATIONS**

TOP	-
BOTTOM	BOT
TOP&BOTTOM	T&B
CONTINUOUS	CONT
FACE BAR	-
CORNER BAR	COR
VERTICAL	VERT
HORIZONTAL	HOR
STIRRUPS	STIRR
EACH WAY	EW
EACH FACE	EF
INNER FACE	IF
OUTER FACE	OF
EACH SIDE	ES
MASONRY	M
DOWEL	DWL
DOWEL/VERTICAL	D/V
TRANSVERSE	TRANS
LONG WAY BAR	LW
SHORT WAY BAR	SW

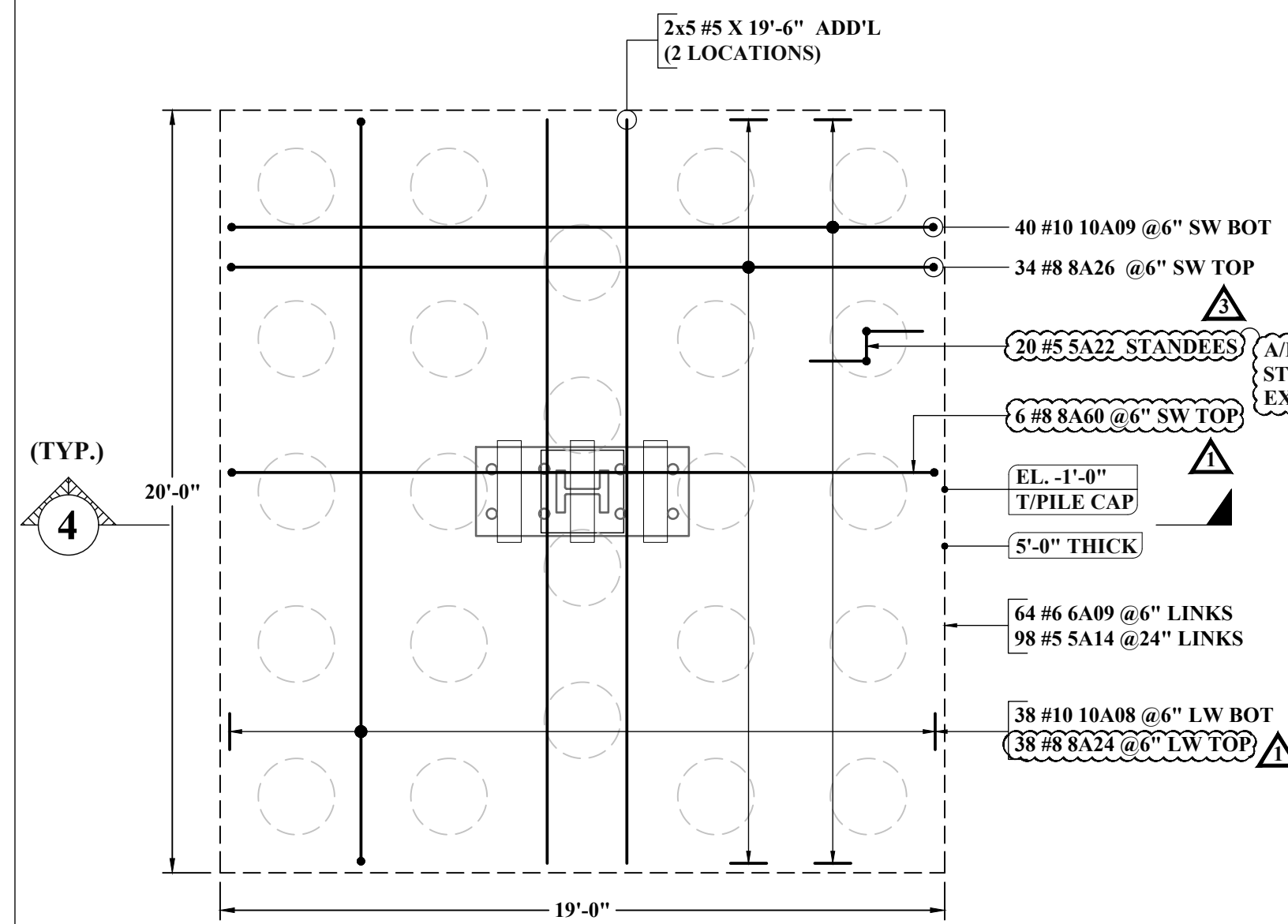
**(PILE CAP)**  
**LAP SCHEDULE (CLASS-B)**  
REF: 30/S3-1

SIZE	5000 PSI	
	TOP	OTHER
#3	22"	17"
#4	29"	23"
#5	36"	28"
#6	44"	34"
#7	63"	49"
#8	72"	56"
#9	81"	63"
#10	92"	71"
#11	102"	78"

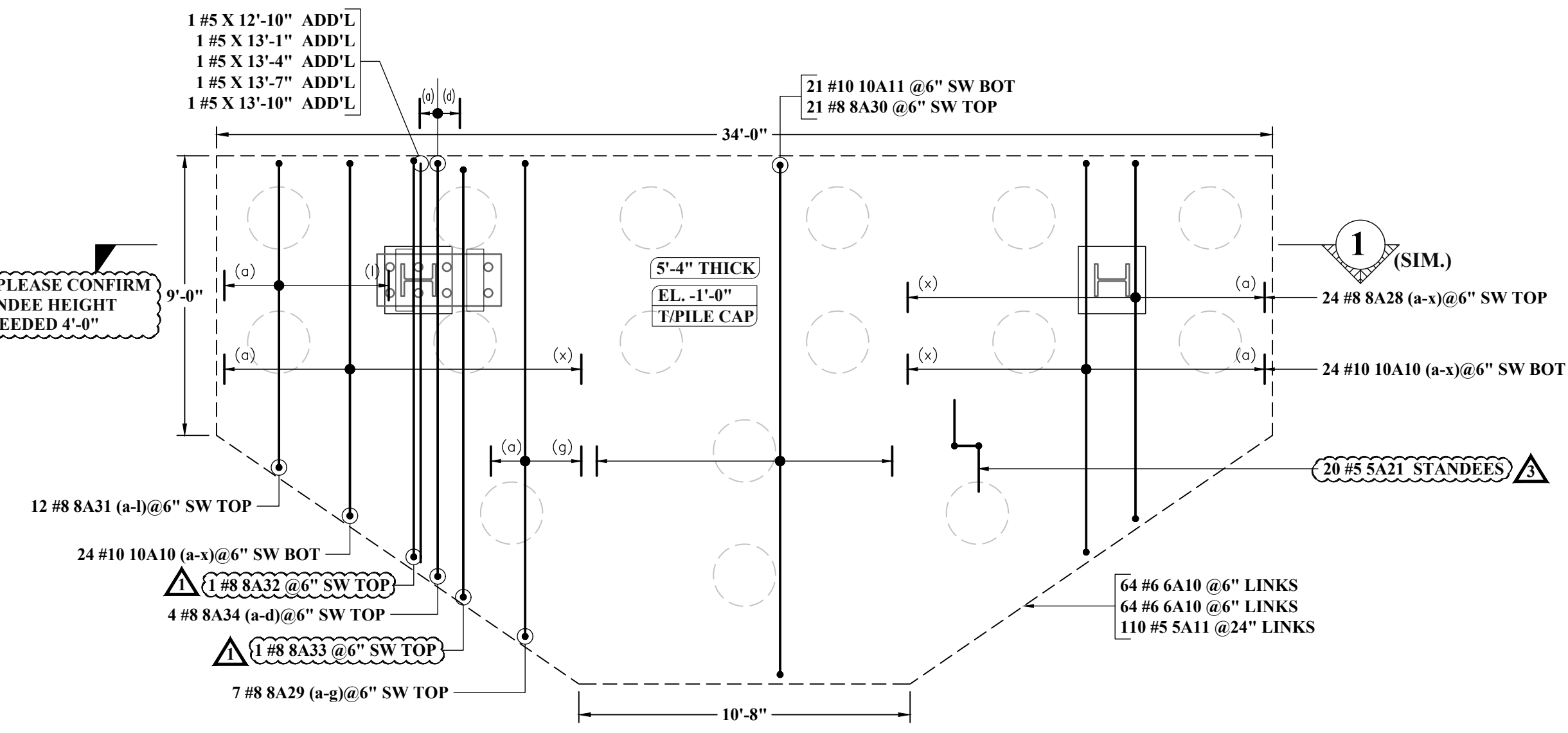
- NOTES:-**
1. TYPICAL CLEARANCES  
A). TOP - 2"  
B). BOTTOM - 3"  
C). SIDES - 3"
  2. A/E PLEASE VERIFY THE ALL CLOUDED ITEMS
  3. PROVIDE FIELD CUT AS REQUIRED LOCATIONS
  4. BARS TO BE PLACED AT EQUAL SPACING U.O.N.
  5. TILT HOOK TO ACCOMMODATE THE COVER, IF NEED

**ALL BARS IN THIS DRAWING ASTM A615 GRADE 60 BLACK UNCOATED**

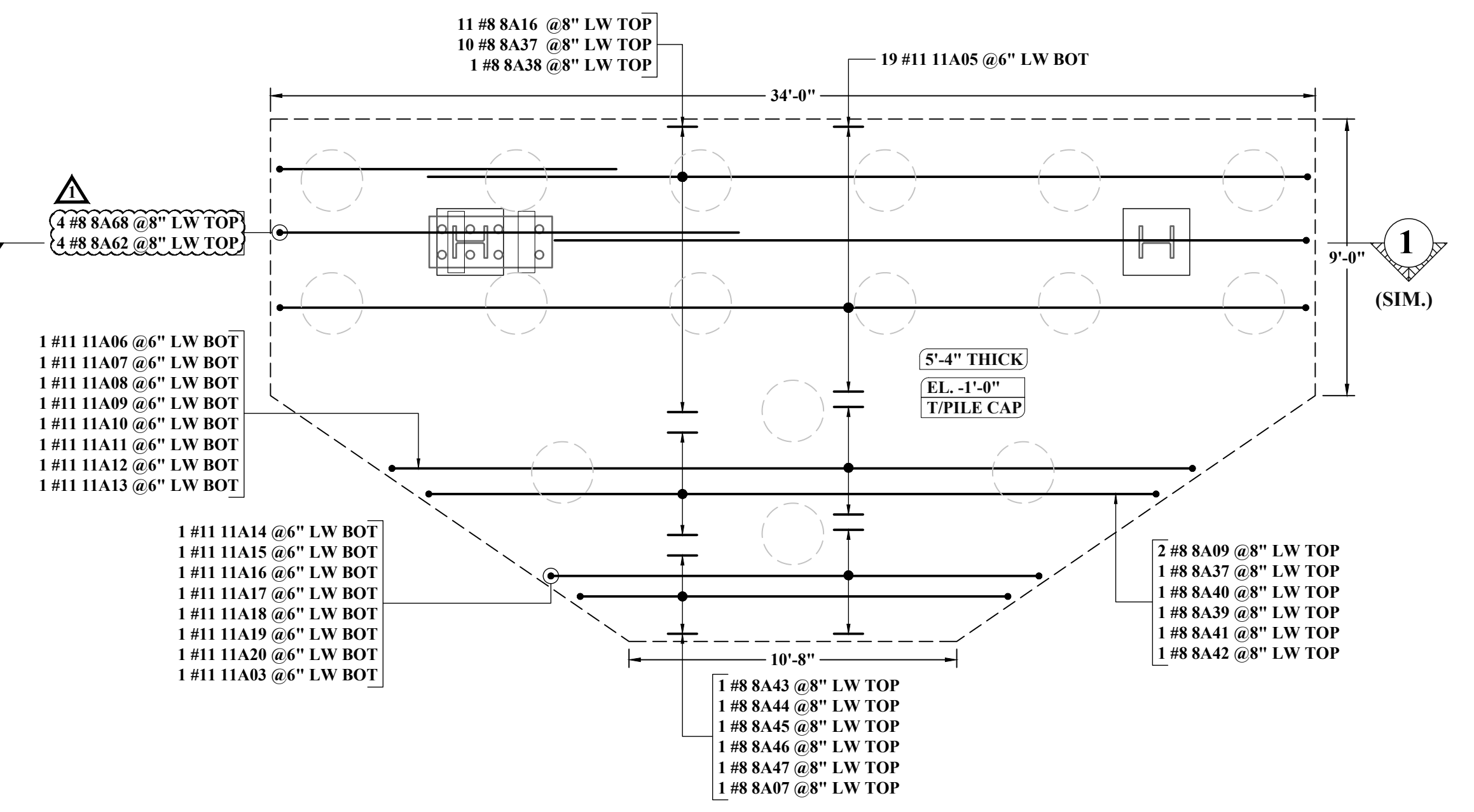
NOTE: REINFORCING STEEL PLACING DRAWINGS TO BE USED ONLY IN CONJUNCTION WITH CONTRACT DRAWINGS AND SPECIFICATIONS. ELEVATIONS & DIMENSIONS SHOWN ON THIS DRAWING ARE FOR VERIFICATION BY THE EOR OR FOR DETAILING PURPOSES ONLY AND SHOULD NOT BE USED FOR CONSTRUCTION UNLESS VERIFIED BY THE ARCHITECT, ENGINEER OF RECORD, OR CONTRACTOR.



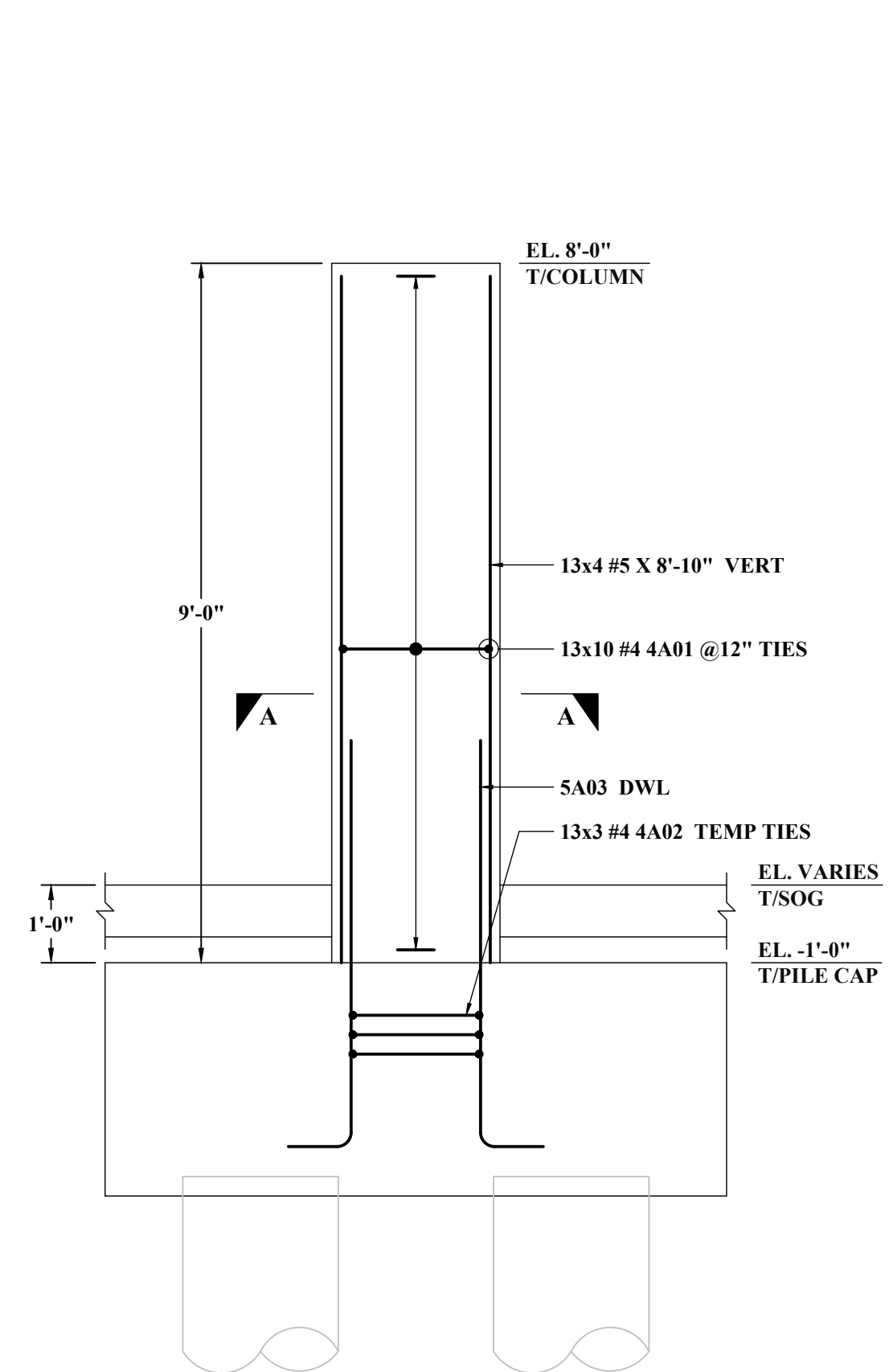
**PILE CAP MARK : P24**  
SCALE : 1/4"=1'-0"  
REF : 1/S2-1 & 30/S3-2



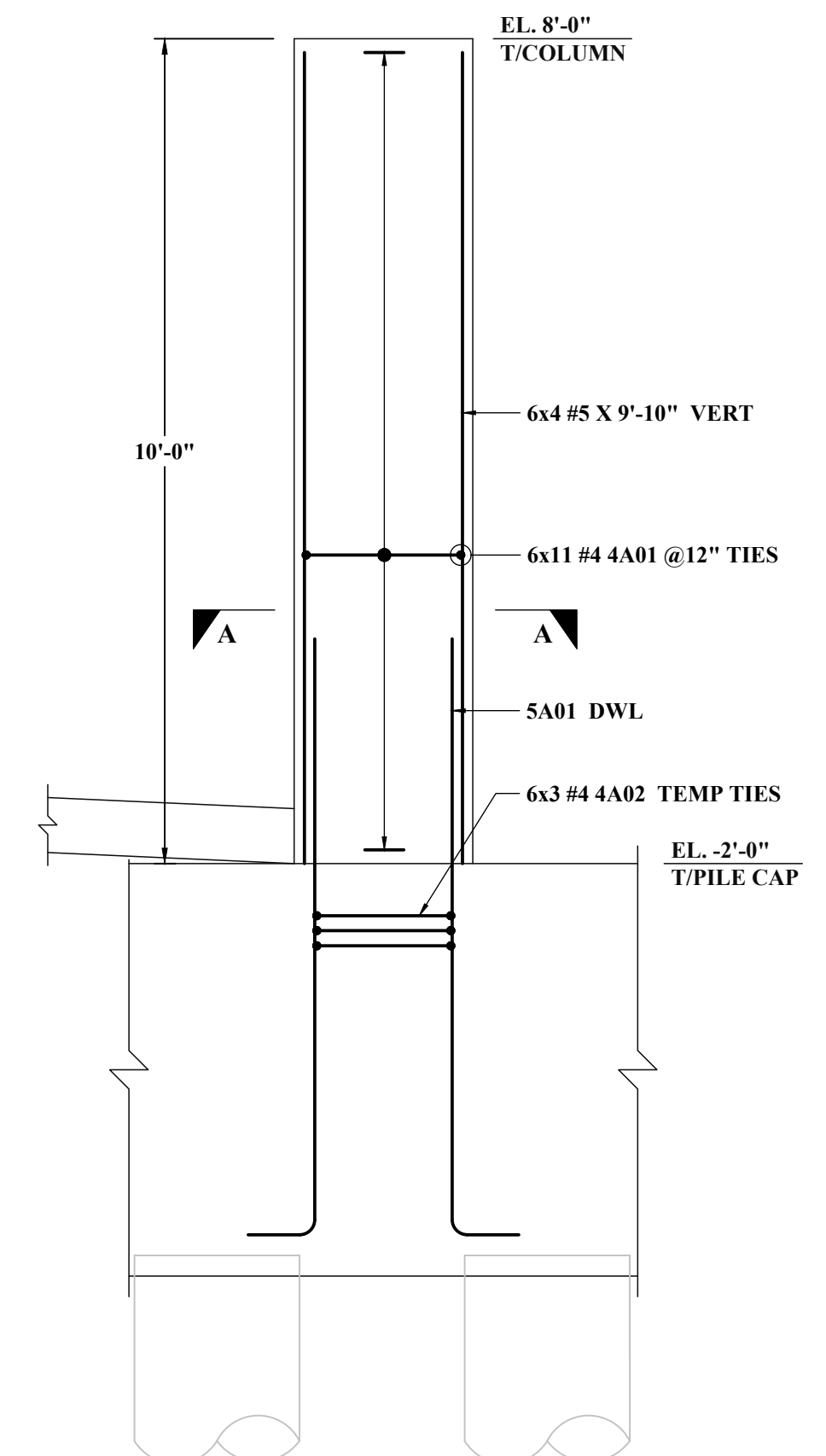
**PILE CAP MARK : P16 SIM2.**  
SCALE : 1/4"=1'-0"  
REF : 1/S2-1 & 30/S3-2



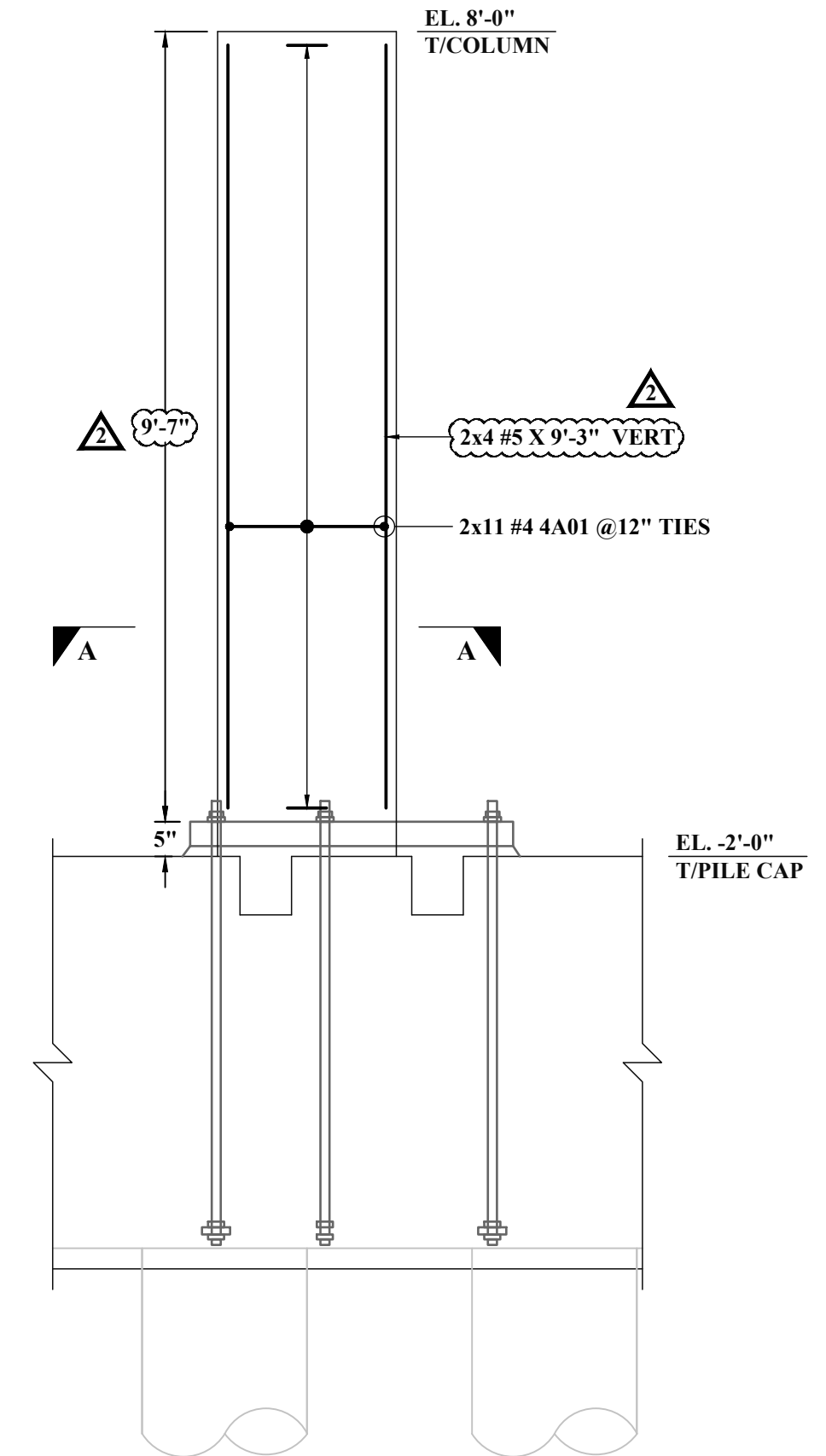
**PILE CAP MARK : P16 SIM2.**  
SCALE : 1/4"=1'-0"  
REF : 1/S2-1 & 30/S3-2



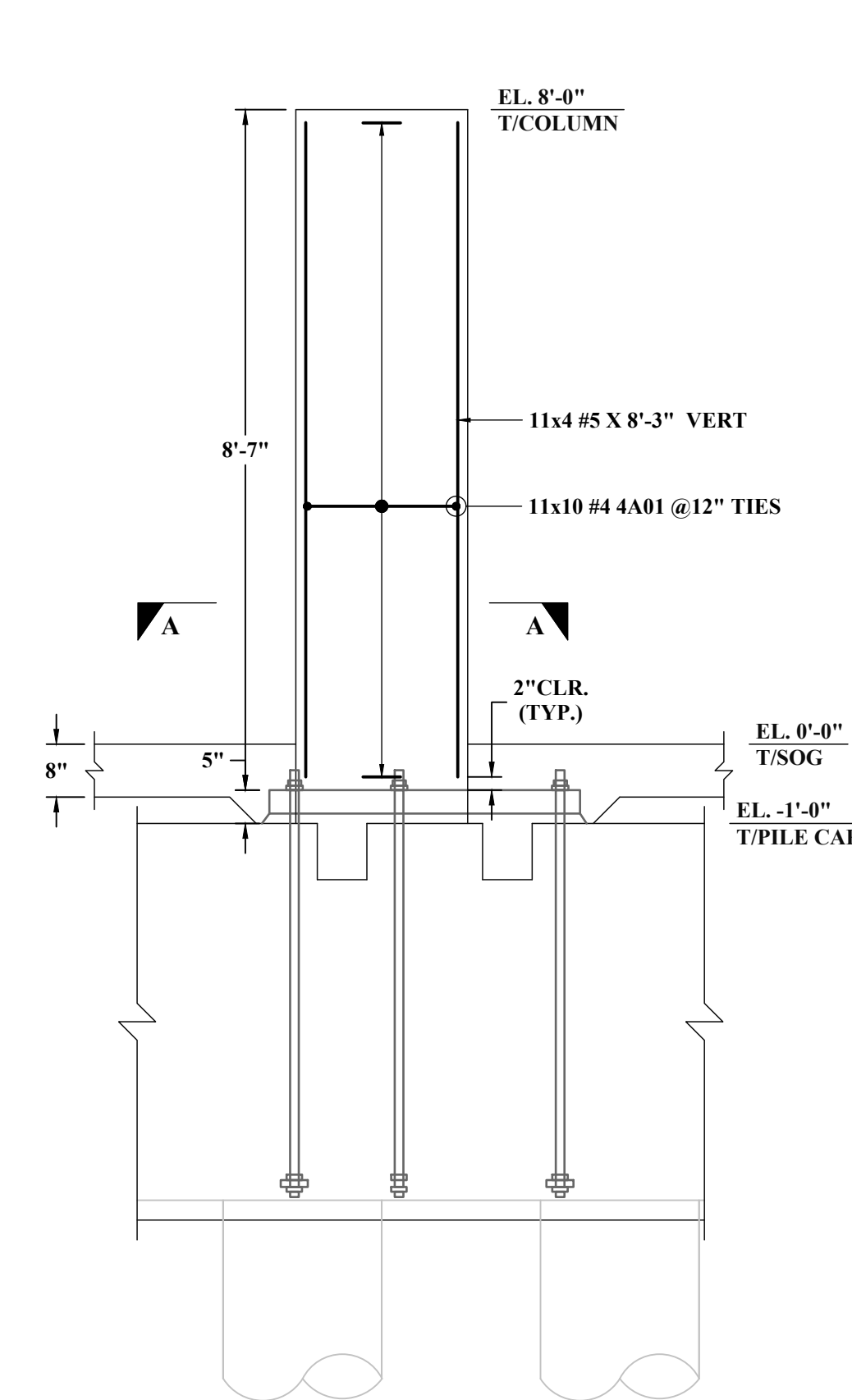
**COLUMN -C1**  
SCALE : 1/2"=1'-0"  
REF : 1/S2-1 & 30/S3-2



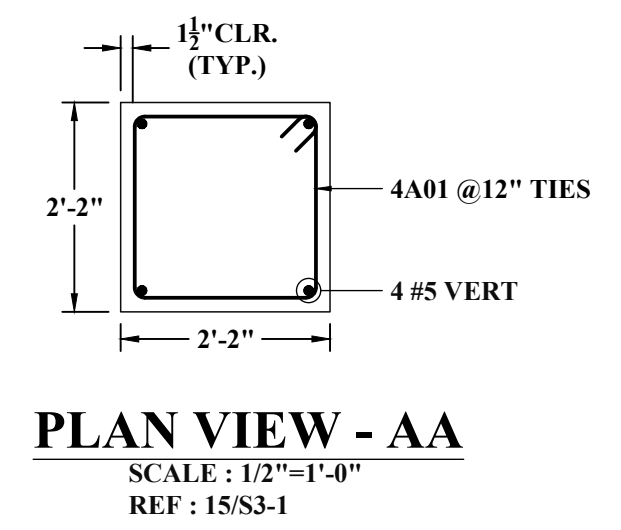
**COLUMN -C1A**  
SCALE : 1/2"=1'-0"  
REF : 1/S2-1 & 30/S3-2



**COLUMN -C1B**  
SCALE : 1/2"=1'-0"  
REF : 1/S2-1 & 30/S3-2



**COLUMN -C1C**  
SCALE : 1/2"=1'-0"  
REF : 1/S2-1 & 30/S3-2



**PLAN VIEW - AA**  
SCALE : 1/2"=1'-0"  
REF : 15/S3-1

ABBREVIATIONS	
TOP	-
BOTTOM	BOT
TOP&BOTTOM	T&B
CONTINUOUS	CONT
FACE BAR	-
CORNER BAR	COR
VERTICAL	VERT
HORIZONTAL	HOR
STIRRUPS	STIRR
EACH WAY	EW
EACH FACE	EF
INNER FACE	IF
OUTER FACE	OF
EACH SIDE	ES
MASONRY	M
DOWEL	DWL
DOWEL/VERTICAL	D/V
TRANSVERSE	TRANS
LONG WAY BAR	LW
SHORT WAY BAR	SW

(PILE CAP)

SIZE	5000 PSI	
	TOP	OTHER
#3	22"	17"
#4	29"	23"
#5	36"	28"
#6	44"	34"
#7	63"	49"
#8	72"	56"
#9	81"	63"
#10	92"	71"
#11	102"	78"

(COLUMN)

SIZE	4000 PSI	
	TOP	OTHER
#3	24"	19"
#4	33"	25"
#5	41"	31"
#6	49"	37"
#7	71"	54"
#8	81"	62"
#9	91"	70"

- NOTES:-**
- TYPICAL CLEARANCES  
A). TOP - 2"  
B). BOTTOM - 3"  
C). SIDES - 3"
  - A/E PLEASE VERIFY THE ALL CLOUDED ITEMS
  - PROVIDE FIELD CUT AS REQUIRED LOCATIONS
  - BAR TO BE PLACED AT EQUAL SPACING U.O.N.
  - TILT HOOK TO ACCOMMODATE THE COVER, IF NEED

**ALL BARS IN THIS DRAWING ASTM A615 GRADE 60 BLACK UNCOATED**

NOTE: REINFORCING STEEL PLACING DRAWINGS TO BE USED ONLY IN CONJUNCTION WITH CONTRACT DRAWINGS AND SPECIFICATIONS. ELEVATIONS & DIMENSIONS SHOWN ON THIS DRAWING ARE FOR VERIFICATION BY THE EOR OR FOR DETAILING PURPOSES ONLY AND SHOULD NOT BE USED FOR CONSTRUCTION UNLESS VERIFIED BY THE ARCHITECT, ENGINEER OF RECORD, OR CONTRACTOR.

